

DS-2CE12D0T-PIRXF

Cámara con PIR y sirena de 2 Mp



- 2 MP, 1920 × 1080 resolution
- 2.8 mm, 3.6 mm, 6 mm fixed focal lens
- Smart IR, up to 40 m IR distance
- PIR detection, strobe light alarm, audible alarm
- Built-in siren
- 4 in 1 video output (switchable TVI/AHD/CVI/CVBS)
- IP67



Specification

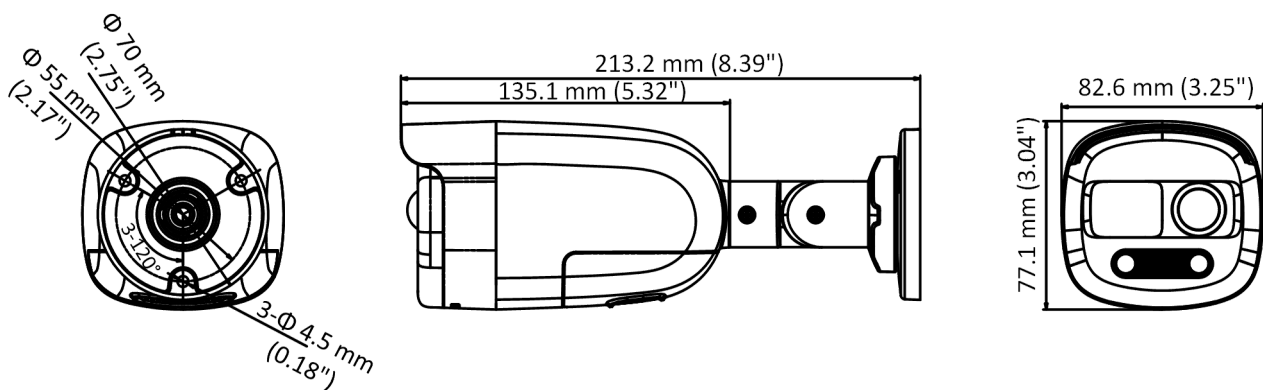
Camera	
Image Sensor	2 MP CMOS
Signal System	PAL/NTSC
Resolution	1920 (H) × 1080 (V)
Frame Rate	TVI: 1080p@30fps, 1080p@25fps AHD: 1080p@30fps, 1080p@25fps CVI: 1080p@30fps, 1080p@25fps CVBS: PAL/NTSC
Min. illumination	0.01 Lux @ (F1.2, AGC ON), 0 Lux with IR
Shutter Time	PAL: 1/25 s to 1/50, 000 s NTSC: 1/30 s to 1/50, 000 s
Lens	2.8 mm, 3.6 mm, 6 mm fixed lens
Field of View	2.8 mm, horizontal FOV: 106°, vertical FOV: 57°, diagonal FOV: 124° 3.6 mm, horizontal FOV: 81°, vertical FOV: 43°, diagonal FOV: 96° 6 mm, horizontal FOV: 51°, vertical FOV: 29°, diagonal FOV: 58°
Lens Mount	M12
Flashing Light Alarm (Red & Blue)	Yes
Audible Alarm	Yes
Day & Night	ICR
WDR (Wide Dynamic Range)	Digital WDR
Angle Adjustment	Pan: 0 to 360°, Tilt: 0 to 180°, Rotation: 0 to 360°
Menu	
Image Mode	STD/HIGH-SAT
AGC	Yes
Day/Night Mode	Auto/Color/BW (Black and White)
White Balance	Auto/Manual
AE (Auto Exposure) Mode	DWDR/BLC/HLC/Global
Noise Reduction	2D DNR
Language	English
Function	Brightness, Sharpness, Mirror, Smart IR
Interface	
Video Output	Switchable TVI/AHD/CVI/CVBS
General	
Operating Conditions	-40 °C to 60 °C (-40 °F to 140 °F), humidity 90% or less (non-condensing)
Power Supply	12 VDC ± 25% <i>*You are recommended to use one power adapter to supply the power for one camera.</i>
Power Consumption	Max. 6.6 W
Protection Level	IP67

General	
Material	Front Cover: Metal Main Body: Plastic
IR Range	Up to 40 m
PIR Range	Angle: 110°, Range: 11 m
Communication	HIKVISION-C
Dimensions	77.1 mm × 82.6 mm × 213.2 mm (3.04" × 3.25" × 8.39")
Weight	Approx. 399 g (0.88 lb.)

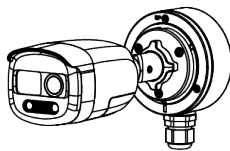
Available Model

DS-2CE12D0T-PIRXF

Dimension



Accessory



**DS-1280ZJ-XS
Junction Box**

Distributed by

www.rosarioseguridad.com.ar

ventas@rosarioseguridad.com.ar



rosarioseguridadok



Grupo Instaladores

<https://www.facebook.com/groups/591852618012744/>

+54 9 341 6708000



Rosario Seguridad



+54 9 341 6591429



+54 9 341 6799822



Rosario Seguridad



+54 9 341 4577532

HIKVISION Avenida Presidente Perón 3998 - Rosario - Santa Fe - Argentina**Headquarters**No.555 Qianmo Road, Binjiang District,
Hangzhou 310051, China
T +86-571-8807-5998
overseasbusiness@hikvision.com**Hikvision USA**
T +1-909-895-0400
sales.usa@hikvision.com**Hikvision Europe**
T +31-23-5542770
sales.eu@hikvision.com**Hikvision UK & Ireland**
T +01628-902140
sales.uk@hikvision.com**Hikvision UAE**
T +971-4-4432090
salesme@hikvision.com**Hikvision Russia**
T +7-495-669-67-99
saleru@hikvision.com**Hikvision Australia**
T +61-2-8599-4233
salesau@hikvision.com**Hikvision Italy**
T +39-0438-6902
info.it@hikvision.com**Hikvision South Africa**
Tel: +27 (10) 0351172
sale.africa@hikvision.com**Hikvision Singapore**
T +65-6684-4718
sg@hikvision.com**Hikvision Korea**
T +82-(0)31-731-8817
sales.korea@hikvision.com**Hikvision India**
T +91-22-28469900
sales@pramahikvision.com**Hikvision Brazil**
T +55 11 3318-0050
Latam.support@hikvision.com**Hikvision France**
T +33(0)1-85-330-450
info.fr@hikvision.com**Hikvision Spain**
T +34-91-737-16-55
info.es@hikvision.com**Hikvision Poland**
T +48-22-460-01-50
info.pl@hikvision.com**Hikvision Canada**
T +1-866-200-6690
sales.canada@hikvision.com**Hikvision Turkey**
T +90 (216)521 7070- 7074
sales.tr@hikvision.com**Hikvision Kazakhstan**
T +7-727-9730667
nikia.panfilov@hikvision.ru**Hikvision Tashkent**
T +99-87-1238-9438
uzb@hikvision.ru**Hikvision Indonesia**
T +62-21-2933759
Sales.Indonesia@hikvision.com**Hikvision Thailand**
T +662-275-9949
sales.thailand@hikvision.com**Hikvision Malaysia**
T +601-7652-2413
sales.my@hikvision.com**Hikvision Vietnam**
T +84-974270888
sales.vt@hikvision.com**Hikvision Hong Kong**
T +852-2151-1761
info.hk@hikvision.com**Hikvision Colombia**
sales.colombia@hikvision.com